

IMPORTANT!!!

PLEASE READ BEFORE USING PROPANE COOKERS

Cooking outdoors is fun and easy. However, one should never forget that cooking outdoors with propane burners involves a *volatile gas* and *extremely hot liquids*. Listed below are a few simple rules you should follow. *Common sense and sobriety must be used* in addition to these rules.

DO

Check all connections for leaks using either leak detector or soapy water. Check cooker for any sign of damage or wear that may make it unsafe for use. Check neck of cast iron burner for obstructions such as spider webs and dirt doober nest. Clear if necessary.

Make sure you have the proper regulator for the cooker you are using.

Examine hose for signs of wear and replace the hose if necessary. **Hoses should be replaced every two years.**

Place propane tank downwind of cooker. If you do have a leak, the propane will be carried away from flame. Propane bottle should be as far away from cooker as possible.

Use extreme caution when lighting cooker. Strike match, open valve slowly, and keep face and hands as far away as possible. You can light a long piece of paper and use it to light the cooker.

DO NOT

Do not use a flame to check for leaks.

Do not use this equipment indoors. All of our cooking appliances are designed for outdoor use.

Do not allow pets or children too close while cooking. After cooking, make sure everything cools down before leaving unattended.

Do not set cookers up on soft or uneven ground.

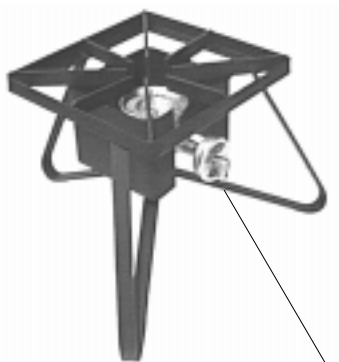
Do not use a cooker without the proper regulator.

Do not leave the propane tank valve on when not in use.

Do not allow the hose to become a tripping hazard.

Do not place face or hands directly over the burner while lighting.

Do not use tank valve to control flame.

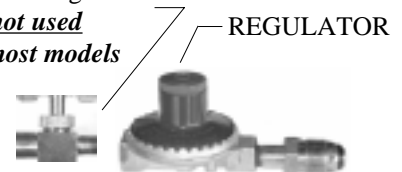


3/8" FLARE FITTING
on cast



HOSE
1/4" MPT on one end
attaches to needle valve or regulator
3/8" swivel flare on other end
attaches to fitting on cooker

NEEDLE VALVE
attaches to regulator
not used
on most models



REGULATOR
POL
attaches to tank valve
Left handed threads

THE ABOVE IS A TYPICAL CONFIGURATION, SOME MODELS MAY VARY.

**IF YOU HAVE ANY QUESTIONS,
CONTACT YOUR LOCAL PROPANE DEALER.**